



TECHNIKA

# Circular bends

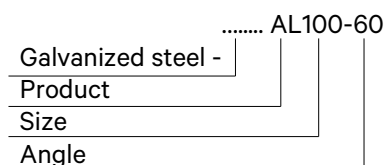
AL-60°



## Description

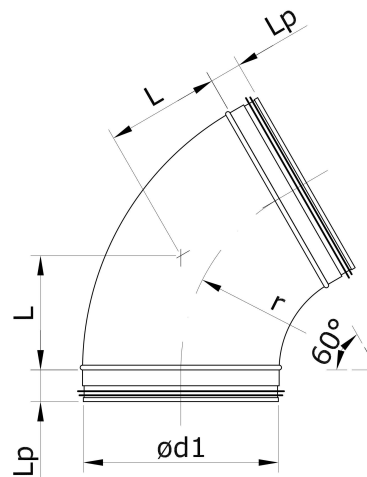
Pressed bends are used to install a ventilation system in buildings along with spiral or smooth ducts. Circular bends made of galvanized sheet steel with a zinc content of 275 g / m<sup>2</sup> - corrosion class C2 / C3 (L) according to LST EN ISO 12944 standard. There is a very smooth surface inside the pressed bends, which results in low pressure losses. Bends is made with double seal gasket EPDM with self-slip material inside. Tightness class C according to LST EN 1506 and LST EN 12237. The bends can be used at temperatures from -45 to +85 °C with appropriate insulation. The maximum permissible absolute humidity inside the air stream and outside is 18 g/kg. Bends can be manufactured in 90 °, 60 °, 45 °, 30 °, angle modifications.

## Ordering code



Sample: AL100-60 – made of galvanized steel, circular bend, diameter 100 mm, angle 60°.

## Dimensions



$r=d1$

Ød1 <sub>nom</sub> [mm]	L [mm]	s [mm]	Lp [mm]	Mass [kg]
100	64	0,5	40	0,25
125	72	0,5	40	0,36
160	92	0,5	40	0,47

## Technical data

